



**Vidheksh**  
SLIDING HEAD SOLUTIONS

**VMC MACHINE  
SPARES, TOOLS &  
ACCESSORIES**

---

**VIRAL MEHTA | 99796 86648**

---

**C-131, SUMEL - 7, SONI NI CHALI, RAKHIYAL,  
AHMEDABAD - 380023, GUJARAT**

---

**URL : [www.vidheksh.com](http://www.vidheksh.com)**

**Email : [solution@vidheksh.com](mailto:solution@vidheksh.com)**



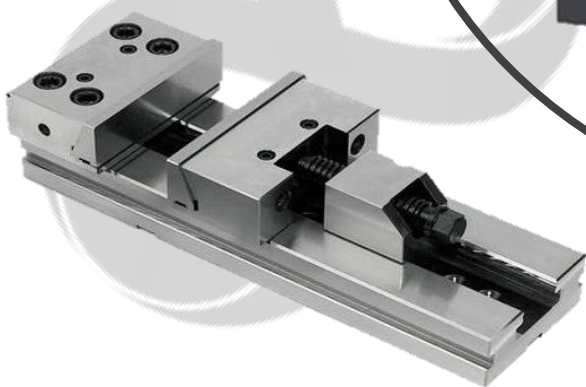
CARBIDE ENDMILLS



CARBIDE BALLNOSE



CARBIDE DRILLS



MACHINE PRECISION VISE



ER COLLETS



HOLDERS

# VMC / HMC MACHINE



**Vidheksh**  
SLIDING HEAD SOLUTIONS

C-131, Safal Sumel -7, Soni Ni Chawl, Rakhiyal, Ahmedabad - 380023  
99796 86648 | 98799 86648 | [solution@vidheksh.com](mailto:solution@vidheksh.com) | [www.vidheksh.com](http://www.vidheksh.com)

# SPHOORTI

*Precision Assured*



## Product Range :-

- TOOL DISC (TURRET) VDI | BMT
- TOOL HOLDER - VDI | BMT
- DRIVEN TOOL HOLDERS - VDI | BMT
- VMC BT HOLDER
- VTP HOLDER

**Vidheksh**  
SLIDING HEAD SOLUTIONS



**ACCESSORIES FOR CNC & VMC MACHINE**

BACK





# AUTOBITS



## FEASIBILITY

- CNC Turning
- VMC Machine
- HMC Machine
- PLC Machine
- SPM Machine

- Production Report
- Tool Usage Report
- Downtime Analysis Report
- OEE Reports
- Alerts & Alarm Reports
- Custom Reports

Shift wise  
 Daily  
 Weekly  
 Monthly  
 Yearly  
 Reports available

**Vidheksh**  
 SLIDING HEAD SOLUTIONS



### INDUSTRY 4.0 | Iot System

## SMART- DIGITAL SUPERVISOR FOR CNC'S

BACK





**Meson**  
Cutting Tools



## Product Range :-

- CUSTOM DESIGN SC TOOL
- BROACHING TOOL
- DOVETAIL CUTTER
- SC DRILL, END MILL, BALL MILL CUTTER

**Vidheksh**  
SLIDING HEAD SOLUTIONS



**SOLID CARBIDE TOOLINGS**

BACK

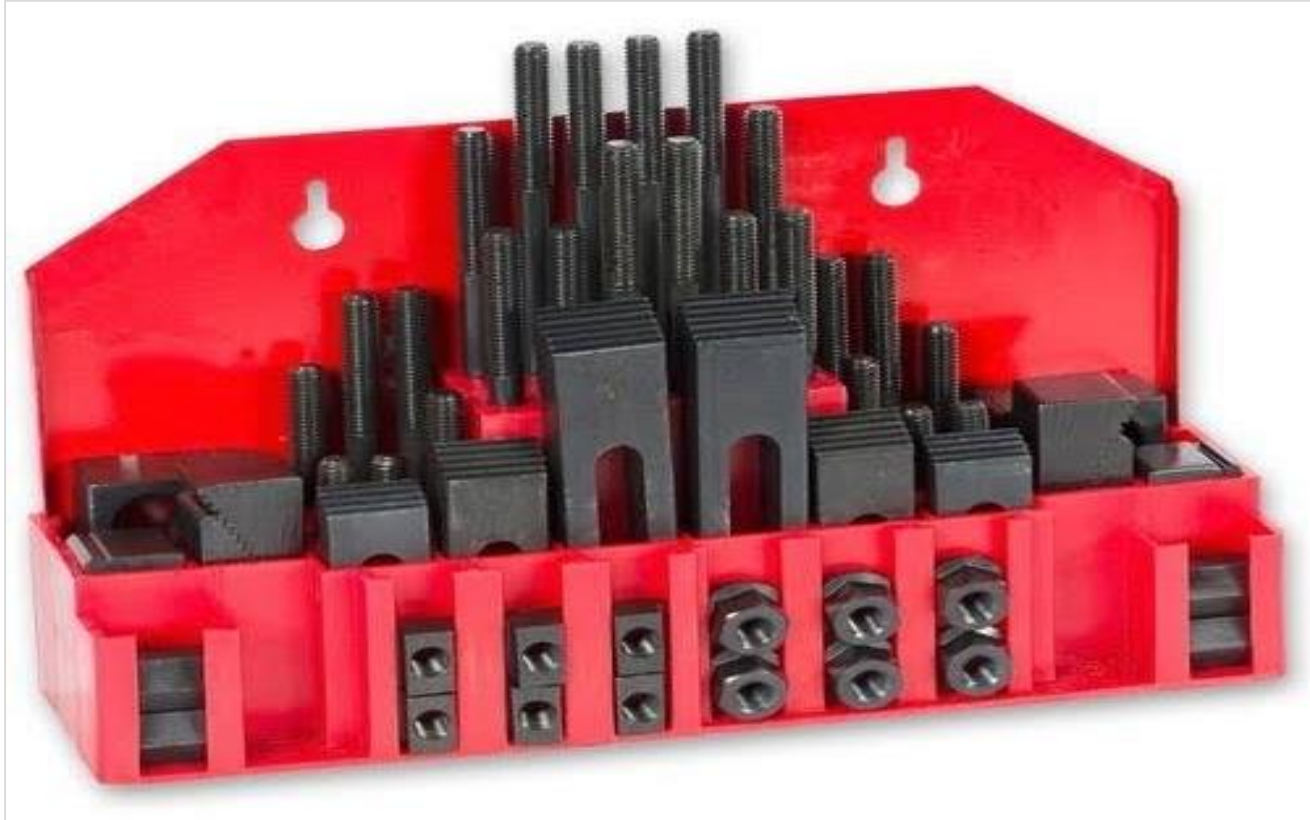




## Product Range :-

- BT ADAPTOR
- ER COLLET
- TG|DA COLLETS
- PULL STUD
- HYDRO GRIP SLEEVES

# TOOLFAST



## Product Range :-

- CLAMPS & CLAMPING ELEMENTS
- WIRE CUT EDM WORK HOLDERS
- MILLING & GRINDING ACCESSORIES
- PNEUMATIC & HYDRAULIC CLAMPS

**Vidheksh**  
SLIDING HEAD SOLUTIONS

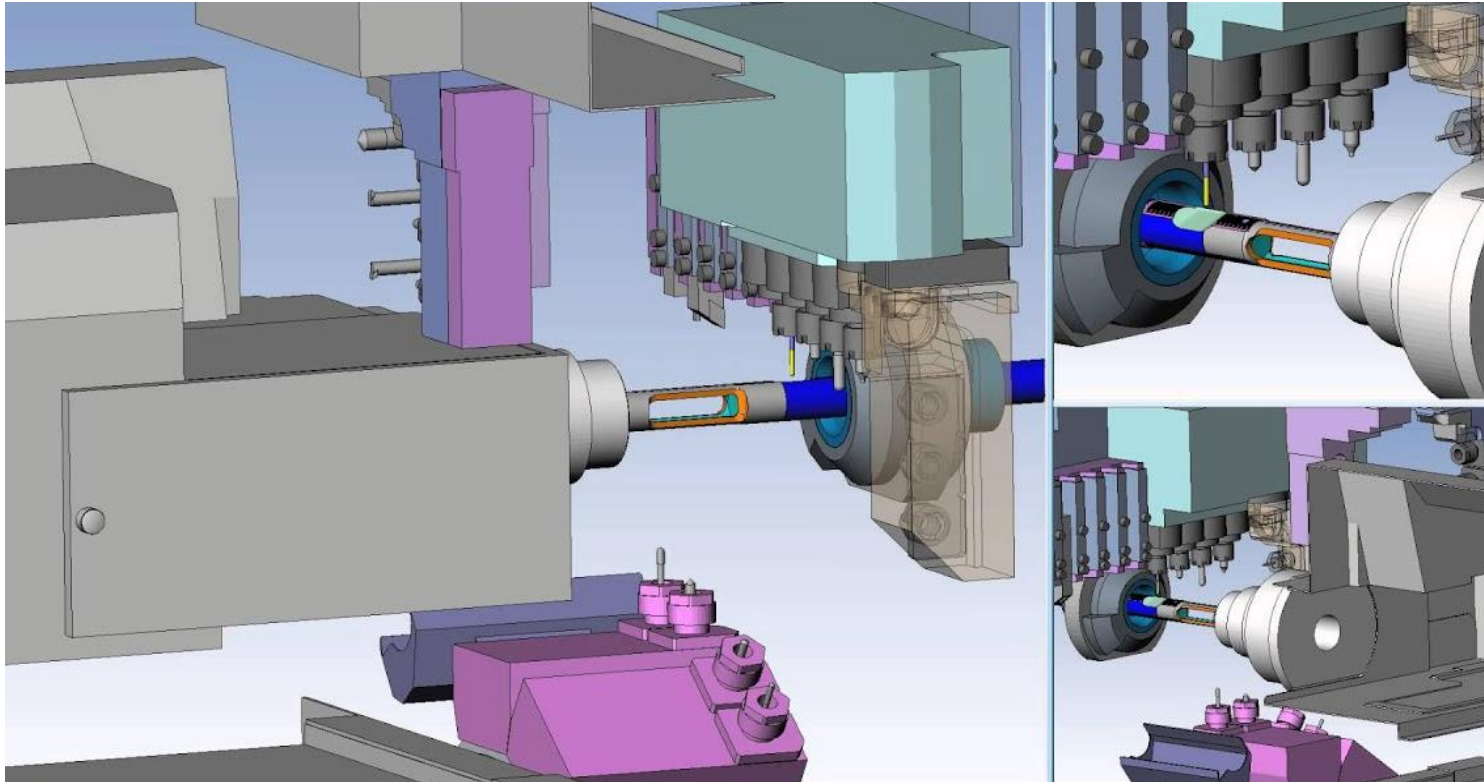


## CLAMPING ACCESSORIES

BACK







- 2-5 Axis Milling
- 2-22 axis Turning
- High Speed Machining
- Wire EDM
- Multitasking Machining

**Vidheksh**  
SLIDING HEAD SOLUTIONS

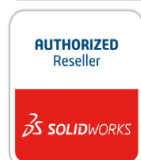


## CAM SOLUTION

Vidheksh Associate with



Authorized Value Added Reseller - Gujarat



radan

BACK





# DIAMETAL

*Swiss Cutting Tool*



## DIAMETAL

Group 



simply **D**ifferent

## Product Range : -

- PARTING | GROOVING
- ISO TURNING INSERTS & HOLDERS
- SPECIAL DESIGN CARBIDE TOOLS

**Vidheksh**  
SLIDING HEAD SOLUTIONS



## TOOLINGS FOR SLIDING HEAD MACHINE

BACK



**H**AHNREITER  
GEWINDETECHNIK



## Product Range : -

- STANTARD & SPECIAL TAPS
- STANTARD & SPECIAL DIES
- STANTARD & SPECIAL GAUGES

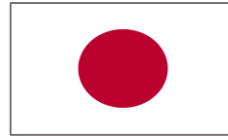
**Vidheksh**  
SLIDING HEAD SOLUTIONS



# THREADING SOLUTIONS

BACK





- High RPM Motor Spindles generates RPM up to 80000 Available in BT, HSK Shanks.
- Suitable for Vertical machining centres like Haas, DMG, Mazak, BFW, ACE Etc. Models
- Suitable for Swiss Type Machines like Citizen, Tornos, DMG, Hanwha, Tsugami, Star, ACE Etc.

## NAKANISHI – HI-SPEED SPINDLE

BACK



ASSOCIATE WITH



**Vidheksh**  
SLIDING HEAD SOLUTIONS





- Work piece & Tool Clamping
- Holders for Cutting Tools
- Reduction Sleeve & Boring Bar Holders
- Spindle Attachment
- Tools for Star, Traub, Index, Strohm, Spinner, Tornos...

## INOPART - SWISS SOLUTION

BACK



ASSOCIATE WITH



**Vidheksh**  
SLIDING HEAD SOLUTIONS



FOR LATHE /  
MILLING /  
DRILLING  
MACHINE

## UNIVERSAL MANUAL COLLET CHUCK

- EASY AND FAST CHANGE-OVER FOR MILLING / DRILLING / LATHE MACHINE.
- INCREASED GRIPPING RANGE.
- ACCURACY AND RIGIDITY.
- REDUCE MAINTENANCE.
- IMPECCABLE QUALITY AT REASONABLE PRICES.

## UNIVERSAL COLLET CHUCK



**Vidheksh**  
SLIDING HEAD SOLUTIONS

C-131, Safal Sumel -7, Soni Ni Chawl, Rakhiyal, Ahmedabad - 380023  
99796 86648 | 98799 86648 | [solution@vidheksh.com](mailto:solution@vidheksh.com) | [www.vidheksh.com](http://www.vidheksh.com)

PROVEN  
PERFORMANCE  
750 – 850 NOS.  
PER END-MILL



- TORX (STAR DRIVE) TOOLS AVAILABLE. [0.4 TO 1.0MM ALL SIZES.]
- SUITABLE END MILLS AVAILABLE FOR T8 | T15 | T20 | T25 ETC...
- EXTRA LONG – FLUTES CAN BE PROVIDED.
- MANUFACTURED EXCLUSIVELY WITH PREMIUM QUALITY COATING FOR HIGH WEAR RESISTANCE, REDUCED FRICTION, AND EXTENDED TOOL LIFE FOR TITANIUM APPLICATIONS.
- BEST QUALITY & PERFORMANCE AT REASONABLE PRICES.

## STAR | TORX | HEXALOBULAR TOOLS



**Vidheksh**  
SLIDING HEAD SOLUTIONS

C-131, Safal Sumel -7, Soni Ni Chawl, Rakhiyal, Ahmedabad - 380023  
99796 86648 | 98799 86648 | [solution@vidheksh.com](mailto:solution@vidheksh.com) | [www.vidheksh.com](http://www.vidheksh.com)



# MACHINE SPARES



APC BATTERY 6V



FANUC FAN



MPG BOX



MPG WHEEL



FANUC FUSE



FANUC FUSE



PUSH BUTTON SWITCH



LED CNC LIGHT TOWER LAMP



CNC DISPLAY



CNC KEYPAD SOFT KEYS



ROTARY KNOBS



ROTARY KNOBS



ENCODER



PROXIMITY SENSORS



RELAYS-OMRON



RELAYS



ALLIED CONNECTORS



FLAT CABLE



OPTICAL CABLE



CABLE DRAG CHAIN



POWER FEEDBACK CABLE



LAPP CABLE



ROTARY SWITCHES







SPINDLE MOTOR  
COOLING FAN



COOLING FANS



PUMP POWER SUPPLY  
SMPS



COOLANT PUMP MOTOR



IMPELLER FOR  
COOLANT PUMP



PRESSURE SWITCH



AC MESH FILTERS



FILTERS AND ELEMENTS



BALL SCREW



LM GUIDEWAYS



BELLOWS



FOOT SWITCHES



DRAWBAR DISK SPRING



TURRET MOTOR



TURRET



HYDRAULIC CHUCK  
& JAWS



METERING CARTRIDGE



LUBRICATION SYSTEM



KLUBER ISOFLEX GREASE



DEUBLIN ROTARY  
UNIONS



PISTON P-80



TURCITE



FRL UNITS



PNEUMATIC PARTS



HYDRAULIC CYLINDER  
WITH VALVE



HYDRAULIC POWER PACK



STABILIZER  
TRANSFORMER



BEARINGS  
(NSK - SKF - FAG - RHP  
- INDIAN - CHINA ETC...)



CYLINDER  
PISTON SEAL SET-O RINGS



TIMING BELTS AND  
MACHINE BELTS

**PLEASE CONTACT  
US FOR FURTHER  
ASSISTANCE**

**THANK YOU**

**VIRAL MEHTA**

**99796 86648**

**98799 86648**